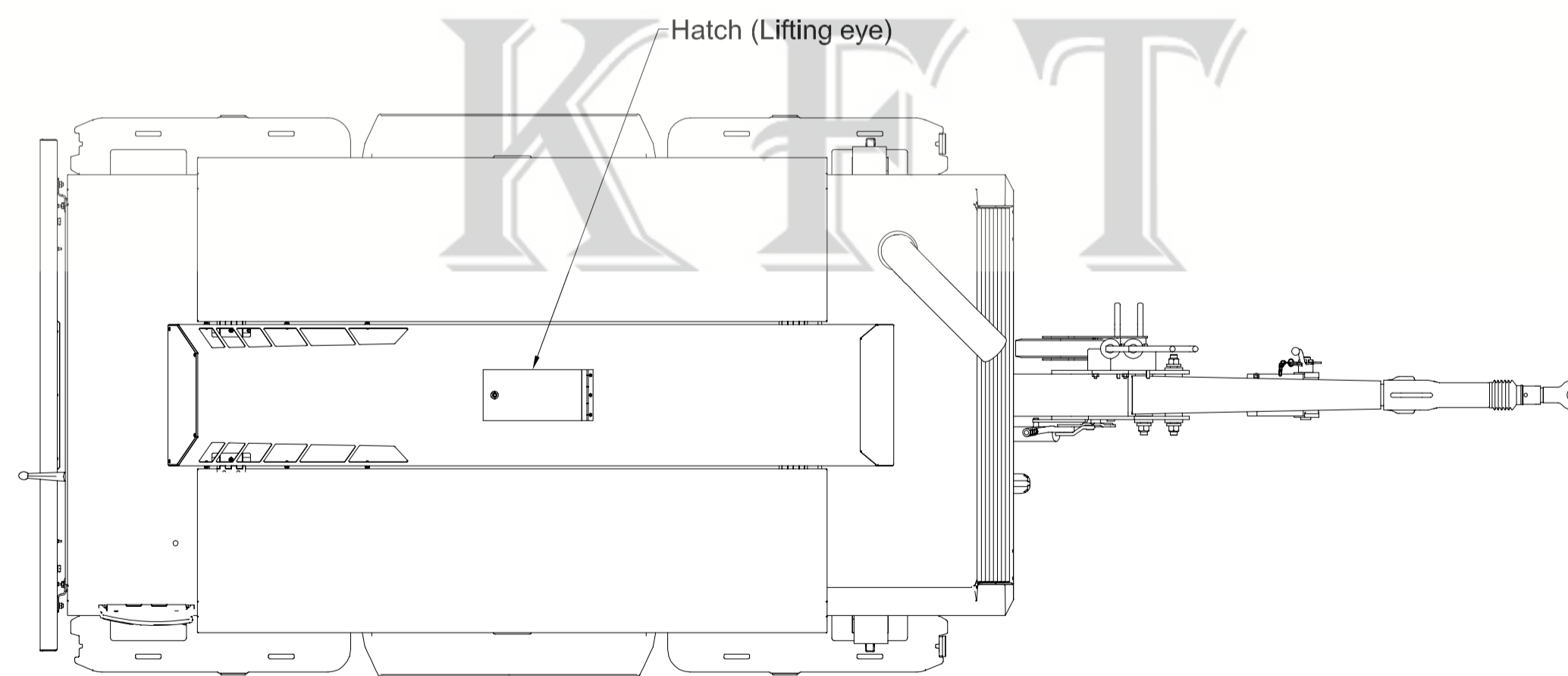


AIR OUTLET VALVES:
1x 2" G + 2x 3/4" G

TYPE	06344
COMMERCIAL NAME	XAHS 237 [XAHS500CD7] XAMS 287 [XAMS600CD7]
TOTAL MAXIMUM WEIGHT	3150 kg [6944.444 lbs]
TOTAL WEIGHT WITHOUT FLUIDS	2800 kg [6172.839 lbs]
MAXIMUM LOAD ON TOWING EYE	150 kg [330.687 lbs]
MAXIMUM PERMISSIBLE AXLE LOAD	3000 kg [6613.756 lbs]



Towing eye acc. to DIN 74054-40A Blatt 1 Type 40-02/e1 00-0346	
NATO Towing eye SSMT 53 (NATO) - SAE J 847 - BS AU29 - NEN 1049 Type 76-02/e1 00-0642	
ITA Towing eye Type 45-02/e1 00-1149	

Toleranties indien niet aangegeven zijn volgens:
Tolerances if not indicated according to:

ATLAS COPCO STANDARD/Klasse/Class

Benoeming Name	DIMENS. DRWG		TYPE 06344		Categorie/klasse Security Class	1102 K/ 2
Materiaal Material	SEE DRAWING		OND + ROW Adj. Towbar			
Behandeling Treatment			ACD			
Schaal Scale	1:20	Familie Family	A1		Versie/Rij Version/Row	
Getekend Drawn by	gdh/utel/gpr	Rij nr. Blank nr.	Vervangt Replaces		Eigenaar Drawing owner	AIP
Version Drwg	01	Ruw gew. Blank wt.	0	Kg	Rij gew. Final wt.	0
Des gez./chd.	Prod gez./chd.	Goedg./Appd.	Datum/Date		2007-11-30	

Parent 3D Model Ed. Verskin 3D

Approved

9822 0848 70

01	Drawing updated imperial name suffix CD7	2008-03-17		
Nota Note	Gewijzigd van Modified from	Datum Date	Ingev./Goedg. Intr./Appd.	

All materials supplied are in compliance with the requirements of the List of Prohibited Substances